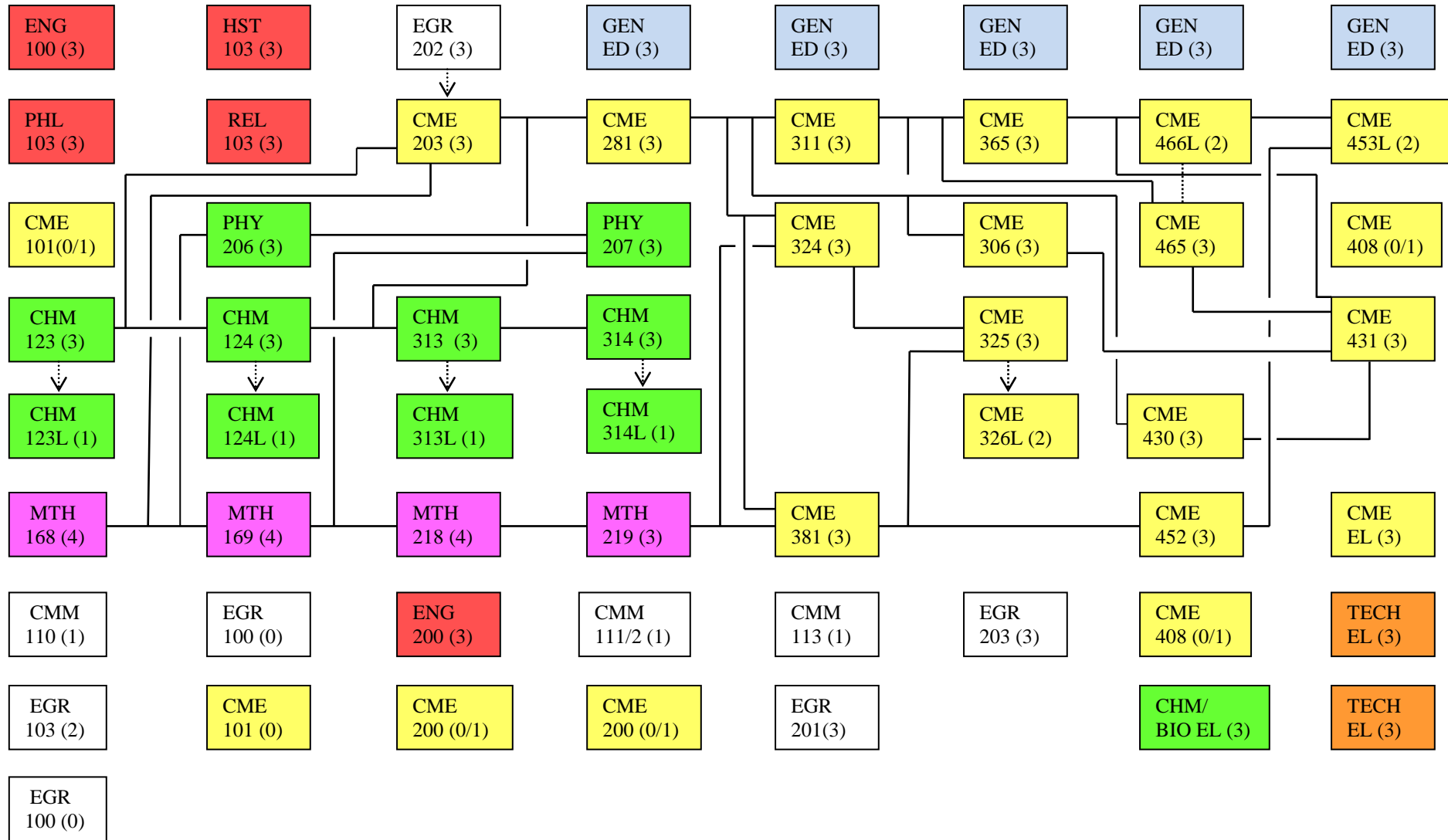


# Bachelor of Chemical Engineering 2012

1 <sup>st</sup> Sem 17/18 Cr.	2 <sup>nd</sup> Sem 17 Cr.	3 <sup>rd</sup> Sem 17 Cr.	4 <sup>th</sup> Sem 17 Cr.	5 <sup>th</sup> Sem 16 Cr.	6 <sup>th</sup> Sem 17 Cr.	7 <sup>th</sup> Sem 17/18 Cr.	8 <sup>th</sup> Sem 17/18 Cr.
----------------------------------	-------------------------------	-------------------------------	-------------------------------	-------------------------------	-------------------------------	----------------------------------	----------------------------------



<span style="display: inline-block; width: 15px; height: 15px; background-color: red; border: 1px solid black;"></span>	Humanities Base	<span style="display: inline-block; width: 15px; height: 15px; background-color: lightblue; border: 1px solid black;"></span>	General Education Electives (5 courses: Three in different domains may be used for cluster. One must be an ethics course.)	<span style="display: inline-block; width: 15px; height: 15px; background-color: yellow; border: 1px solid black;"></span>	CME Course	<span style="display: inline-block; width: 15px; height: 15px; background-color: orange; border: 1px solid black;"></span>	Technical Elective (list of approved electives in CME Office)	.....	Co-Requisite
<span style="display: inline-block; width: 15px; height: 15px; background-color: lightgreen; border: 1px solid black;"></span>	General Science	<span style="display: inline-block; width: 15px; height: 15px; background-color: pink; border: 1px solid black;"></span>	Math	———	Prerequisites				