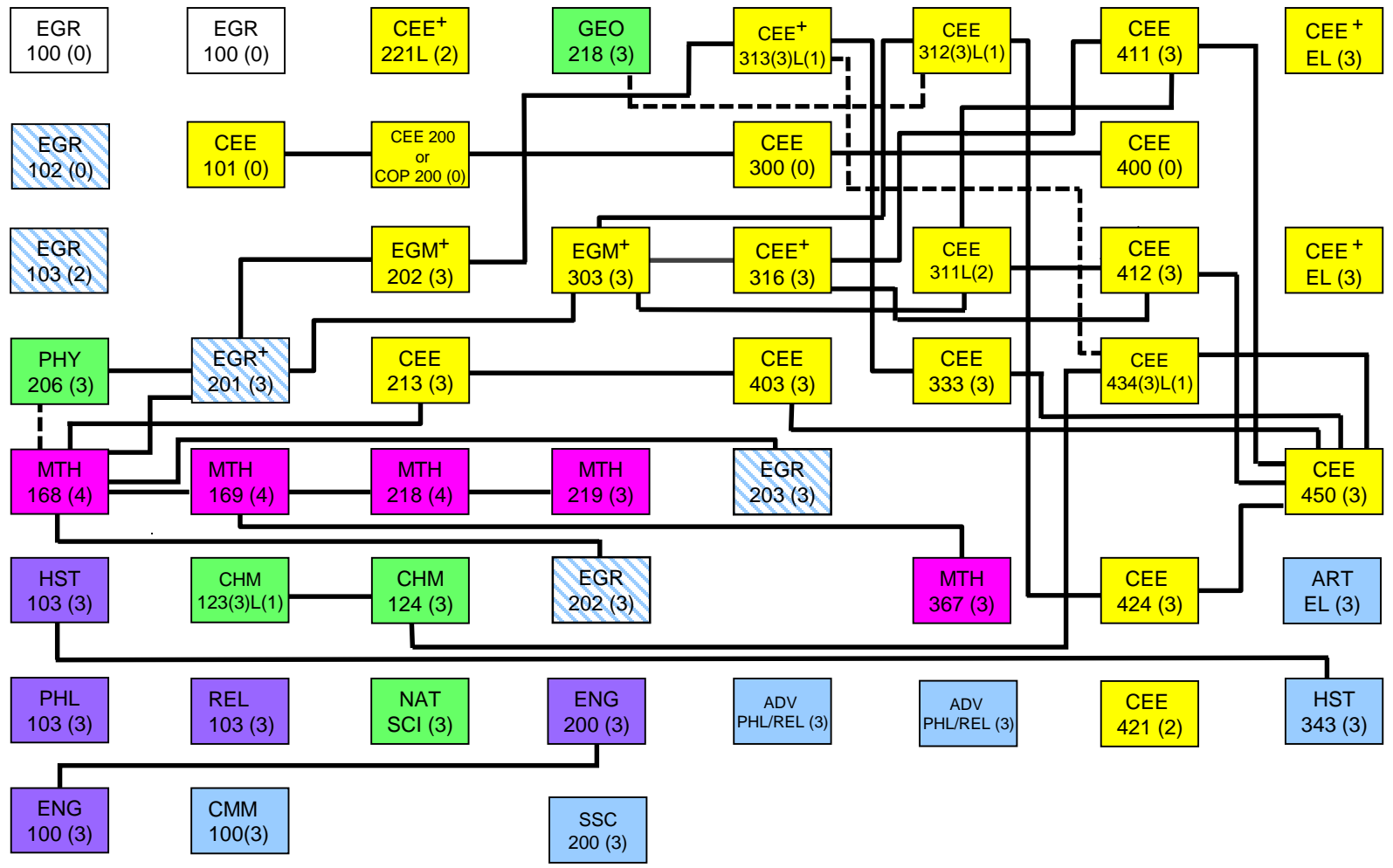


# BACHELOR OF CIVIL ENGINEERING

AY 2017-18

FALL SEM 1	SPRING SEM 2	FALL SEM 3	SPRING SEM 4	FALL SEM 5	SPRING SEM 6	FALL SEM 7	SPRING SEM 8
------------	--------------	------------	--------------	------------	--------------	------------	--------------



**Credits**    18                    17                    18                    18                    16                    15                    15                    15 = 132

<p>--- Common Academic Program (CAP) ---</p>		<p>Math</p>	<p>CEE Courses</p>	<p>Co-requisite Prerequisites (left to right)</p>
<p>Humanities Base</p>	<p>Natural Science</p>			
<p>General Education</p>	<p>Technical Elective</p>	<p>Integrated Engineering Core</p>	<p>+ Courses offered both Fall and Spring Semester</p>	