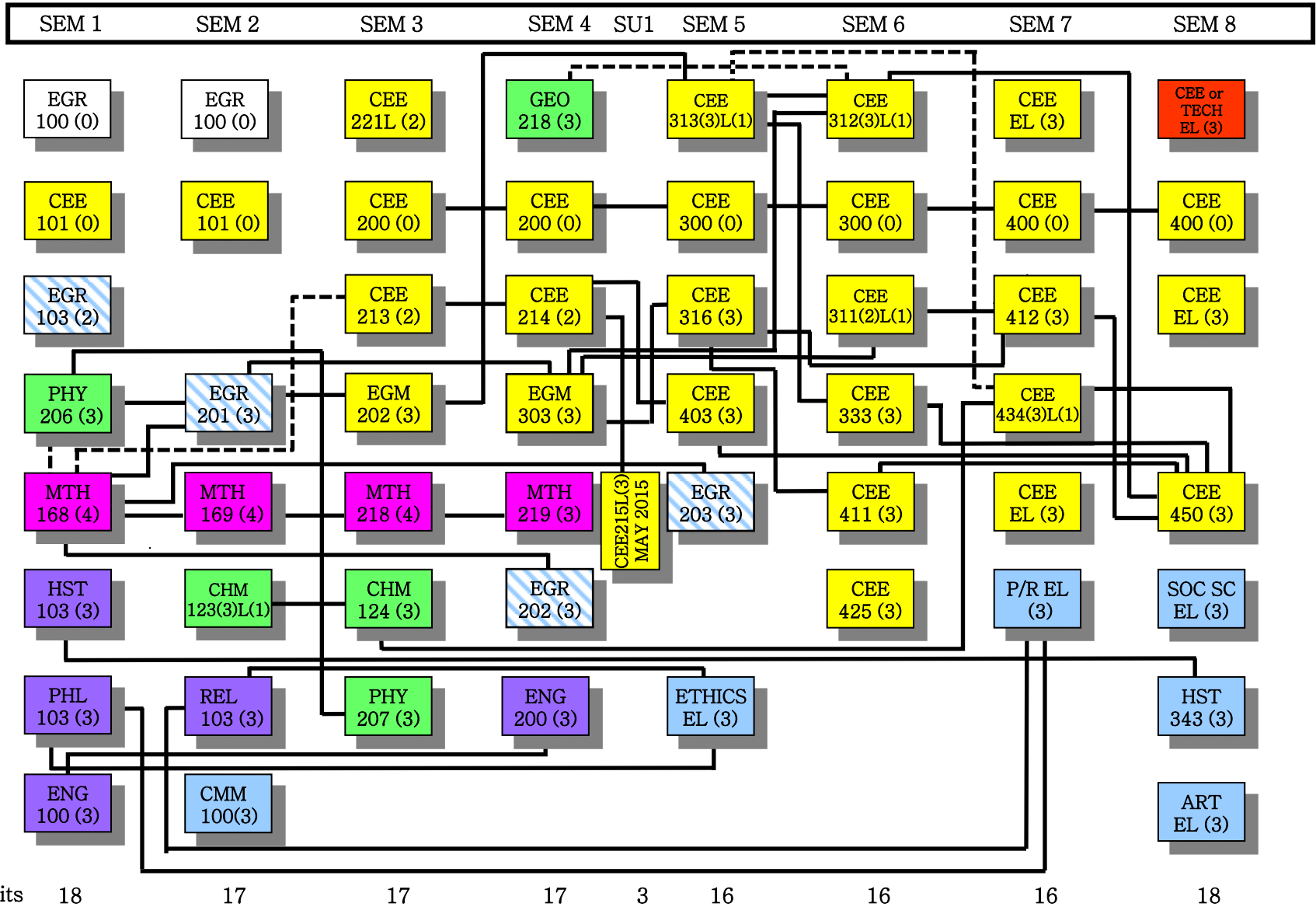


BACHELOR OF CIVIL ENGINEERING

AY 2013-14



Credits

18

17

17

17

3

16

16

16

18



Humanities base



General Science



CEE courses

..... Co-requisite



General education
electives (4 areas,
3 in your cluster)



Math



Technical elective



Integrated
Engineering
Core

— Prerequisites
(left to right)

DEPT NO.	COURSE	CREDIT HOURS			OFFERED
FIRST YEAR		1st/2nd Term			
EGR 100	Enrichment Workshop	0			Required Both
EGR 100	Enrichment Workshop	0			Required Both
CEE 101	Seminar	0			Required Both
CEE 101	Seminar	0			Required Both
EGR 103	Engineering Innovation	2			FA and SP
EGR 201	Engineering Mechanics	3			FA and SP
CHM 123 ⁵	General Chemistry ¹	4			
ENG 100	Writing Seminar I	3			
MTH 168-169	Analytic Geometry & Calculus I, II	8			
PHY 206	General Physics I	3			
HST 103	The West and The World	3			
REL 103	Introduction to Religion	3			
CMM 100	Oral Communications	3			
PHL 103	Introduction to Philosophy	3			
	Total Hours	35			
SECOND YEAR		1st Term	2nd Term	Summer	
CEE 213	Surveying	2			Fall
CEE 221L	Civil Computation Laboratory	2			FA and SP
EGM 202	Dynamics	3			FA and SP
MTH 218	Analytic Geometry and Calculus III	4			
PHY 207	General Physics II	3			
CHM 124	General Chemistry II	3			
CEE 200	Seminar	0	0		Required Both
CEE 214	Highway Geometrics		2		Spring
EGM 303	Mechanics II		3		FA and SP
MTH 219	Applied Differential Equations		3		
GEO 218	Engineering Geology		3		Spring
EGR 202	Thermodynamics		3		FA and SP
ENG 200	Writing Seminar II		3		
CEE 215L	Surveying Field Practice			3	Summer Only
	Total Hours	17	17	3	
THIRD YEAR		1st Term	2nd Term		
CEE 316	Analysis of Structures I	3			FA and SP
CEE 313 ⁵	Hydraulics	4			FA and SP
----	Ethics Elective	3			
CEE 403	Transportation Engineering	3			Fall
EGR 203	Electrical and Electronic Circuits	3			FA and SP
CEE 300	Seminar	0	0		Required Both
CEE 311 ⁶	Civil Engineering Materials		3		Spring
CEE 312 ⁵	Geotechnical Engineering		4		Spring
CEE 333	Water Resources Engineering		3		Spring
CEE 411	Design of Steel Structures		3		Spring
CEE 425	Civil Engineering Systems		3		FA and SP
	Total Hours	16	16		
FOURTH YEAR		1st Term	2nd Term		
CEE 412	Design of Concrete Structures	3			Fall
CEE 434 ⁷	Water and Wastewater Engineering	4			Fall
----	Philosophy/Religion Elective	3			
----	Civil Engineering Elective ^{3,4}	6	3		FA and SP
CEE 400	Seminar	0	0		Required Both
CEE 450	Civil Engineering Design		3		Spring
HST 343	History of Civil Engineering		3		Spring
----	Social Science Elective		3		
----	CEE or Technical Elective ²		3		FA and SP
----	Art Elective		3		
	Total Hours	16	18		

Credit Hours: 138

¹All engineering, mathematics and science courses must be taken for grading option 1.²Selected from list approved by the Department of Civil and Environmental Engineering and Engineering Mechanics.³Select from list approved by the Department of Civil and Environmental Engineering and Engineering Mechanics.⁴May be used to concentrate studies in the areas of construction, environmental, structures, soils, transportation, and water resources engineering.⁵3 credit hours lecture; 1 credit hour lab.⁶2 credit hours lecture; 1 credit hour lab