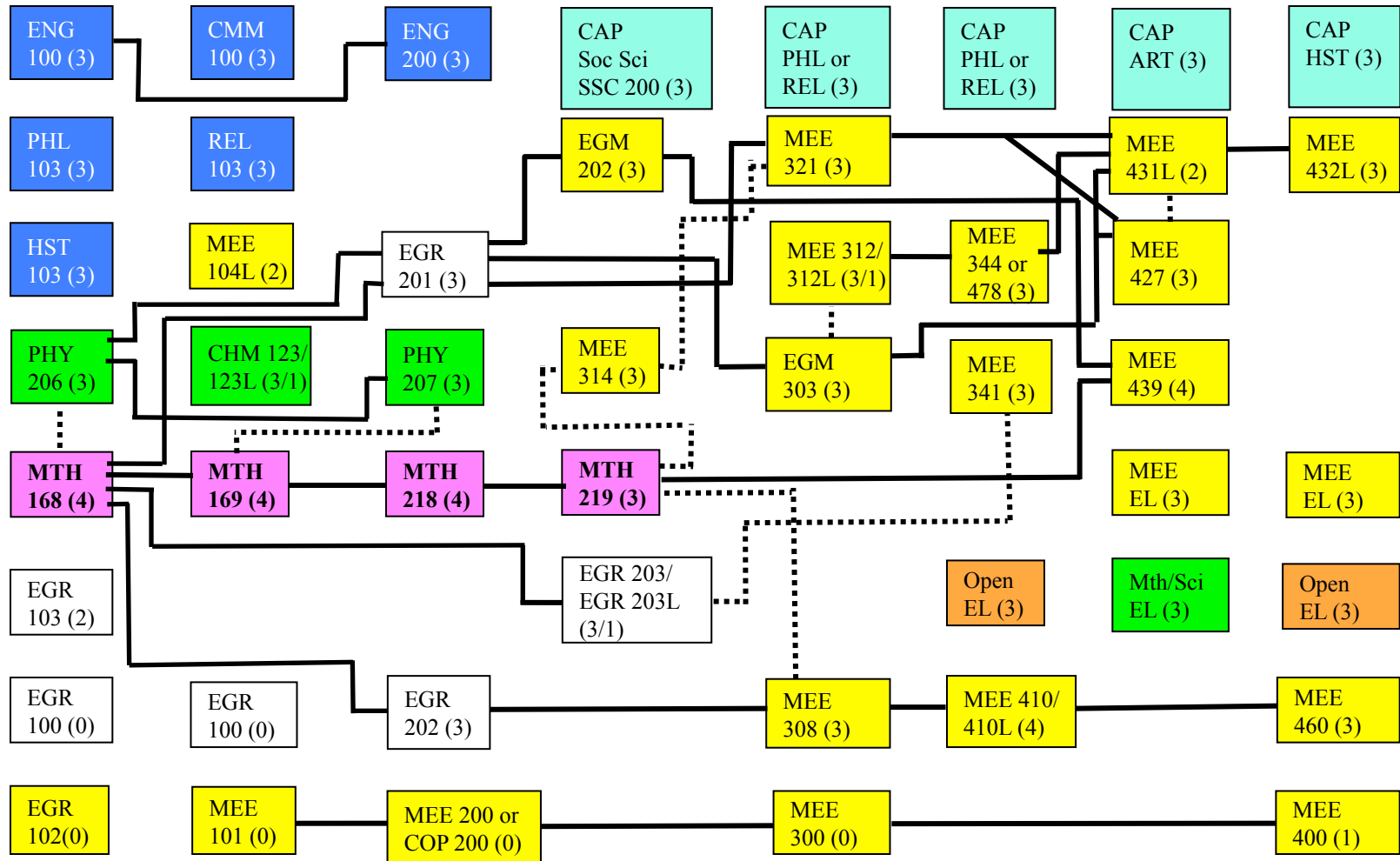


BACHELOR OF MECHANICAL ENGINEERING 2016

SEM 1 18CR **SEM 2 16CR** **SEM 3 16CR** **SEM 4 16CR** **SEM 5 16CR** **SEM 6 16CR** **SEM 7 18CR** **SEM 8 16CR**



CAP Base	Science	MEE course	Corequisite
Common Academic Program (CAP)	Math	Open elective	Prerequisite
	Integrated Engineering Core		* PHY210L can be taken instead. If so, switch PHY206 and CHM123.