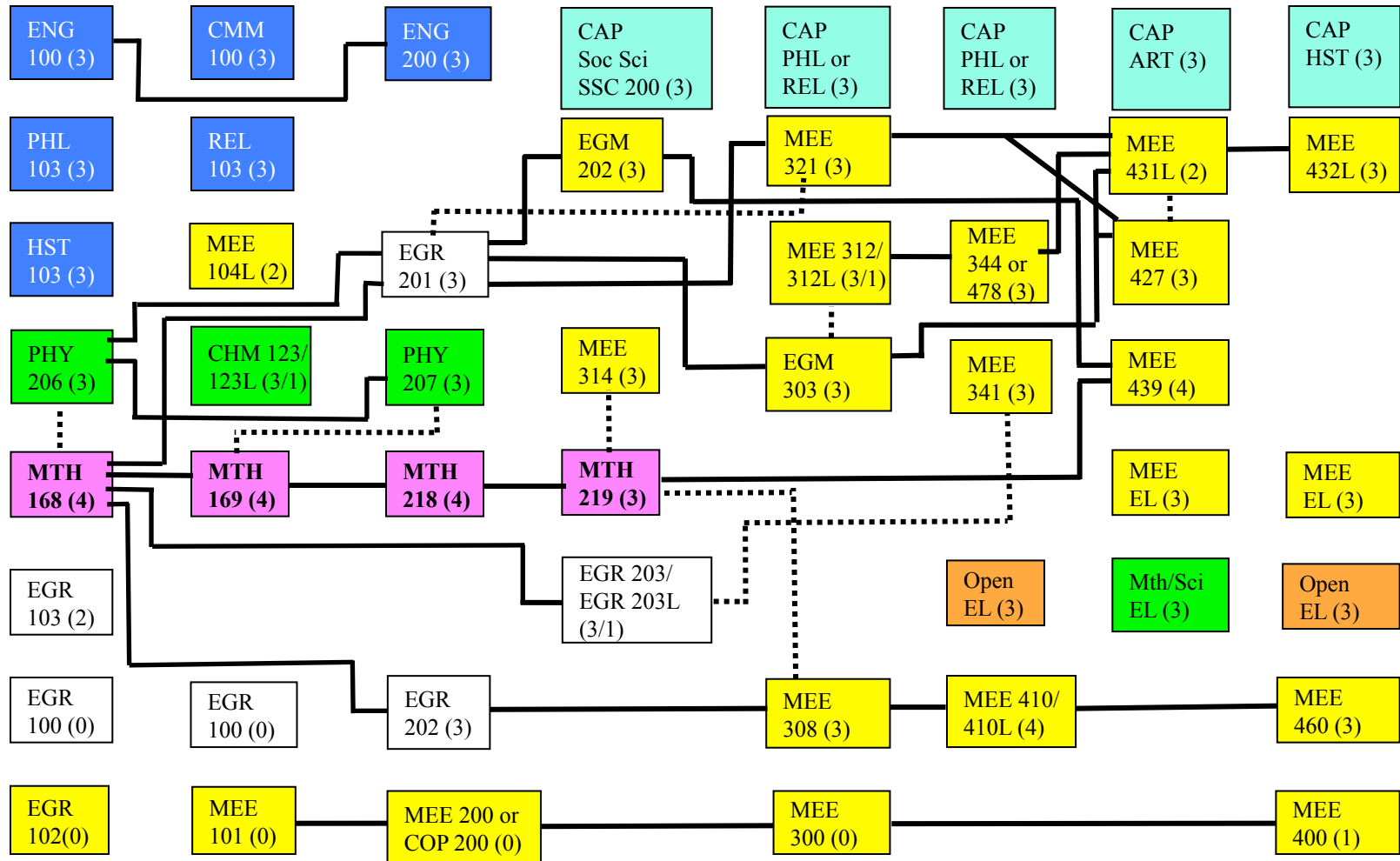


# BACHELOR OF MECHANICAL ENGINEERING 2016

**SEM 1 18CR**    **SEM 2 16CR**    **SEM 3 16CR**    **SEM 4 16CR**    **SEM 5 16CR**    **SEM 6 16CR**    **SEM 7 18CR**    **SEM 8 16CR**



CAP Base	Science	MEE course	..... Corequisite
Common Academic Program (CAP)	Math	Open elective	— Prerequisite
Integrated Engineering Core	* PHY210L can be taken instead. If so, switch PHY206 and CHM123.		