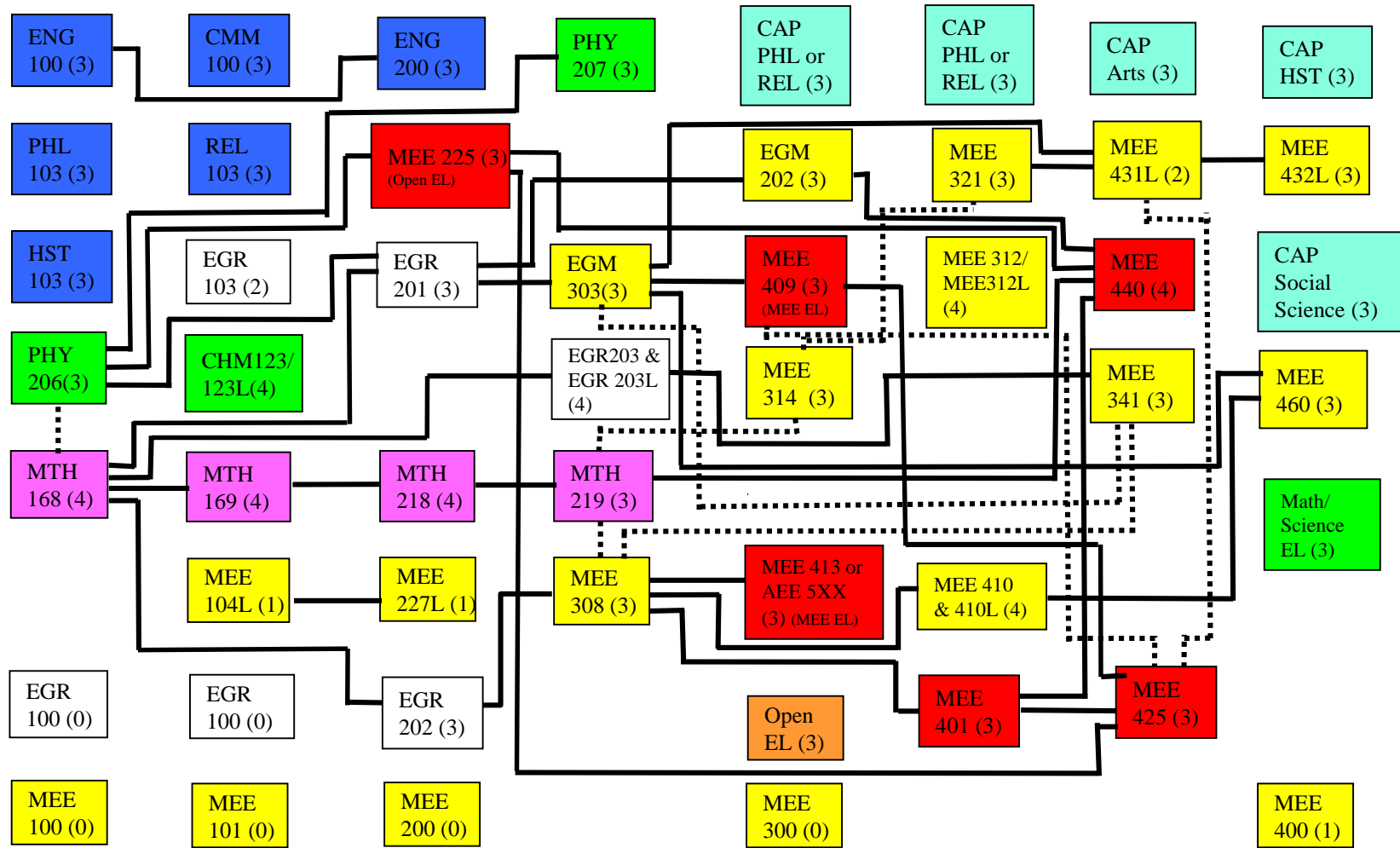


# BACHELOR OF MECHANICAL ENGINEERING – Aerospace Concentration 2015

**SEM 1 16CR   SEM 2 17CR   SEM 3 17CR   SEM 4 16CR   SEM 5 18CR   SEM 6 17CR   SEM 7 15CR   SEM 8 16CR**



<span style="background-color: blue; border: 1px solid black; display: inline-block; width: 20px; height: 10px;"></span> CAP Base	<span style="background-color: green; border: 1px solid black; display: inline-block; width: 20px; height: 10px;"></span> Science	<span style="background-color: yellow; border: 1px solid black; display: inline-block; width: 20px; height: 10px;"></span> MEE course	..... Corequisite	* PHY210L can be taken instead. If so, switch PHY206 and CHM123.
<span style="background-color: red; border: 1px solid black; display: inline-block; width: 20px; height: 10px;"></span> Aerospace	<span style="background-color: magenta; border: 1px solid black; display: inline-block; width: 20px; height: 10px;"></span> Math	<span style="background-color: orange; border: 1px solid black; display: inline-block; width: 20px; height: 10px;"></span> Open elective	— Prerequisite	
<span style="background-color: cyan; border: 1px solid black; display: inline-block; width: 20px; height: 10px;"></span> Common Academic Program (CAP)	<span style="background-color: white; border: 1px solid black; display: inline-block; width: 20px; height: 10px;"></span> Integrated Engineering Core			